

# DD-8

## 8-WAY OPTO ISOLATED DMX-512 SPLITTER



### DESCRIPTION

The Jands DD-8 is an opto isolated DMX-512 splitter designed to provide distribution of one (1) DMX input to eight (8) opto isolated DMX outputs.

### FEATURES

- \* Accepts industry standard USITT DMX-512 / 1990 protocol
- \* Eight (8) opto isolated outputs to DMX-512 controlled device(s)
- \* Standard five (5) pin AXR input and outputs
- \* Protection of DMX control from mains faults on DMX inputs and outputs (Active / Neutral across DMX +/-)
- \* IEC mains input with integral fuse
- \* Red LED power indication
- \* Green LED DMX signal input indication
- \* 500V AC isolation between DMX outputs and chassis
- \* CE and RoHS approved

### OVERALL SPECIFICATIONS

Power supply: Fuse position determined 110V AC or 240V AC / 50~60Hz  
 Consumption: 20VA max.  
 Connector: IEC 3-pin with integral fuse  
 Fuse: T315mA M205 slow blow for 240V operation  
 T1A M205 slow blow for 110V operation  
 DMX: USITT DMX-512 / 1990 protocol  
 DMX input/output connectors: Alcatel AXR-5MDZ / Alcatel AXR-5FDZ

DMX INPUT	DMX OUTPUT
Pin-1 DMX gnd	Pin-1 chassis gnd
Pin-2 DMX -ve	Pin-2 DMX -ve
Pin-3 DMX +ve	Pin-3 DMX +ve
Pin-4 not used	Pin-4 not used
Pin-5 not used	Pin-5 not used

Displays: Red LED and green LED  
 Dimensions: 482mm (W) × 44mm (H) × 120mm (D)  
 Net/shipping weight: 3/4 kg

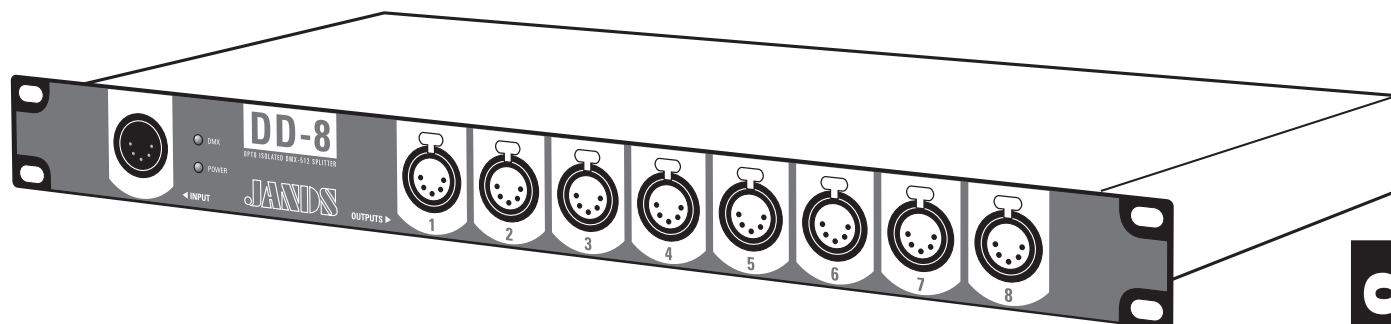
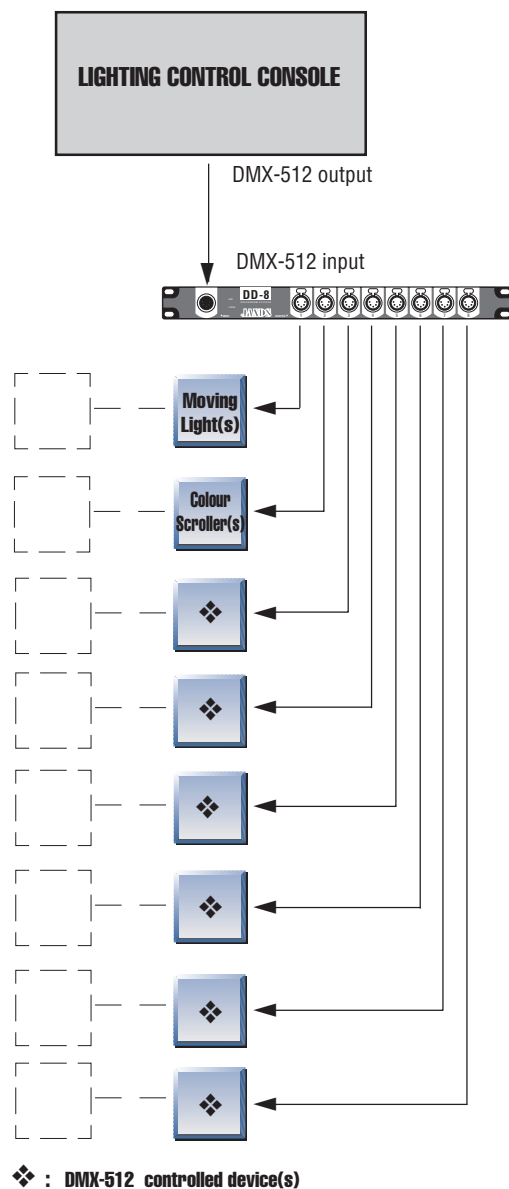
### SUPPLIED ACCESSORIES

- 2m IEC to Clipsal 463 power cable (export models may vary)
- Operating manual

### ORDERING INFORMATION

MODEL/PART	PART NO.
• DD-8	JND-DD8

Typical Jands DD-8 DMX-512 output configuration:



▲ DD-8

8-WAY OPTO ISOLATED DMX-512 SPLITTER

# DD-8

# DD-8

## 8-WAY OPTO ISOLATED DMX-512 SPLITTER



### ARCHITECTS & ENGINEERS SPECIFICATION

#### Electronics

The opto isolated DMX-512 splitter shall have one (1) DMX input and eight (8) DMX output connections, the sockets being standard 5-pin AXR connectors.

The opto isolated DMX-512 splitter shall have a power on LED and DMX active LED indication on the front panel.

The opto isolated DMX-512 splitter shall be factory tested and cyclically burned-in for a minimum of 24 hours.

The opto isolated DMX-512 splitter shall use standard DMX USITT 1990 protocol.

The opto isolated DMX-512 splitter input shall be internally terminated into a 120 ohm load.

The opto isolated DMX-512 splitter outputs shall be protected against short circuit faults. Electrical isolation between output and chassis shall be 500V AC. DMX inputs and outputs shall be protected against continuous 250V AC active/neutral across DMX +ve/-ve.

#### Operation

Once connected the opto isolated DMX-512 splitter shall require no operator action.

#### Electrical

The opto isolated DMX-512 splitter shall operate from a single-phase supply of 90 volts to 130 volts AC for 110V operation, 190 volts to 265 volts AC for 240V operation, at supply frequencies of 47Hz~400Hz.

The opto isolated DMX-512 splitter shall not draw more than 20VA of power from a normal GPO. The power inlet shall be an IEC mains socket with integral fuse, and shall be located on the back panel of the unit.

The opto isolated DMX-512 splitter power supply shall be a linear supply, having a user reversible fuse insert, to accommodate 110V AC or 240V AC operation.

#### Mechanical

The opto isolated DMX-512 splitter shall be designed to mount in a standard 19 inch equipment rack.

The opto isolated DMX-512 splitter shall be 430 mm wide x 120 mm deep x 44 mm high.

The opto isolated DMX-512 splitter shall be constructed of 1.2mm steel, with a 1.6mm front panel, and shall be provided with a removable lid for access to internal electronics. All

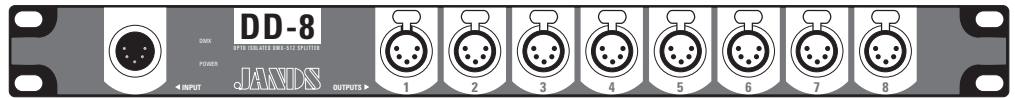
metal surfaces shall be properly treated and finished in powdercoat or bright zinc passivating.

The front and rear surfaces shall be scratch-resistant 0.25mm Lexan with legends reverse silk-screened from behind.

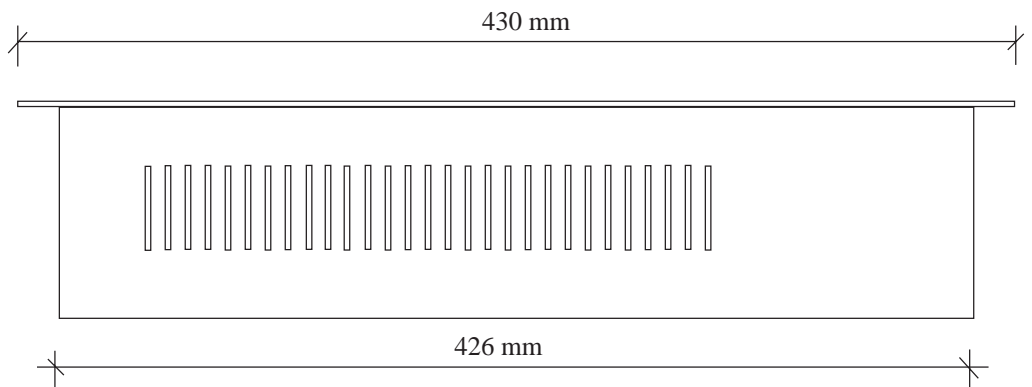
All DMX inputs/outputs and indicator LEDs shall be provided on the front panel of the unit.

The chassis shall have sufficient ventilation holes to allow adequate convection cooling of the power supply and internal electronics, provided the unit is operated in a well ventilated rack and the ambient temperature does not exceed 45°C (113°F).

The 8-way opto isolated DMX-512 splitter shall be JANDS DD-8.



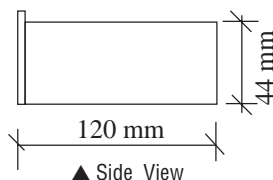
▲ Front panel



▲ Top view



▲ Back panel



▲ Side View

8-WAY OPTO ISOLATED DMX-512 SPLITTER